



PPUH KOMA Sp. z o.o.

66-008 Świdnica k/Zielonej Góry,
Wilkanowo, ul. Kukułcza 1, Poland

Phone (+48) 68 327 33 07,

Fax (+48) 68 329 91 13

www.koma.zgora.pl

USER MANUAL AZ - 1 TESTER



Factory nr

KTM 29.53.16.50

SWW 0782-11

CAUTION!

Do not modify the internal wiring of the device.

This manual is an integral part of the device.

Carefully read this manual before installation and commissioning.

Please contact us for any further information if you have any doubts or questions.

Wilkanowo

TABLE OF CONTENTS

DECLARATION OF CONFORMITY	3
WORK AND OPERATION SAFETY.....	4
RESIDUAL RISKS.....	4
SIGNS AND WARNINGS.....	5
INTENDED USE.....	6
DESIGN.....	6
PARTS LIST.....	6
WIRING OUTLINE.....	7
OPERATION.....	7
MAINTENANCE AND REPAIRS.....	7
DISASSEMBLY AND DECOMMISSIONING.....	9
WARRANTY CARD.....	10

DECLARATION OF CONFORMITY

Nr 04/2006

The manufacturer: P.P.U.H."KOMA" Sp.z o.o.

Address: Wilkanowo, ul Kukułcza 1, 66-008 Świdnica

HEREBY DECLARES WITH FULL RESPONSIBILITY THAT:

Product: Tester AZ-1

Factory number : **Year of manufacture: 2018**

which this declaration pertains is compliant with the following:

Documents nr	Name	Edition (edition date)
PN-EN 60335-1	Safety of household and similar electrical appliances. General requirements.	2004
PN-EN 60529	Degrees of protection provided by casings (IP code)	2003

Additional information;

1. Regulation of the Minister of Agriculture and Rural Development (Journal of Laws No. 205, item 2102 § 5 point 4) of September 9, 2004 on the qualification of persons entitled to vocational slaughter and the conditions and methods for slaughtering and killing animals;

66-008 Świdnica 01.09.2006



Zygmunt Stefek – President

1. WORK AND OPERATION SAFETY

WARNING! Read the instructions before using the device.

Operation and maintenance personnel must read this manual, as well as complete a device use training and health and safety training. It is forbidden to make any modifications and innovations, because it may result in the loss of the warranty. The manufacturer is not responsible for the efficiency and safety of the modified Tester. The device cannot be used for purposes other than intended.

The AZ-1 tester has a thermal protection that prevents it from heating above 65°C. In case a significant increase in the temperature of the casing happens, the testing process must be stopped, the tester must be disconnected from the STZ device and the manufacturer must be notified.

- Any work related to repair, maintenance and servicing must be carried out when disconnected from the power source.
- Any repairs may only be carried out by an authorized electrician.
- Minors and un-trained persons must not use the device.
- Use only for testing devices STZ for stunning animals.

ATTENTION!

Only following the above-mentioned safety rules ensures correct and safe operation of the AZ-1 Tester.

2. RESIDUAL RISKS

Although the **AZ-1** device was designed and marked with due care in order to eliminate hazards during device operation and maintenance, some risks cannot be avoided.

The residual risks result from incorrect operation or behaviour of the operator.

The highest risks are related to the following forbidden operations:

- using the device for purposes other than specified in this instruction manual,
- unauthorized modifications and repairs of internal wiring,
- contact of electrodes with any body part,
- connecting power supply to a device with visible damage,
- use of device by minors, disabled persons and personnel without proper training.

When presenting the residual risk, the AZ-1 testing device is treated as a device that was designed and manufactured according to the best state of technical knowledge since production started.

Residual risk assessment

Compliance with the following requirements:

- careful reading of the user manual;
- no unauthorized modifications or repairs,
- all repairs carried out by the authorized service centre,
- verification of technical condition before operation and following any repairs,
- device use by authorized personnel only who is familiar with user manual for STZ6 and AZ1
- access to the device restricted to authorized personnel only,

3. SIGNS AND WARNINGS

Signs and warnings on the AZ1 case are in accordance with the PN-ISO 11684, IEC 60417 and PN-EN 60335-2-87 standards.

1. Name plate

Voltage: (165-270) V
Power: 300 W
IP55
Output current: (1,3÷2,5) A
Frequency: (50÷2500) Hz
Protection card: I
Work cycle: S2
Production year:
Factory number:

2. Safety symbols:



1. Caution
2. Read the user manual
3. Must not be used by minors
4. Do not connect power supply to a device with damaged connector or socket
5. Any repair or maintenance must be carried out with power supply disconnected - unplug the device.
6. Do not touch! Electrical equipment.
7. This product is subject to the Act of 29/07/2005 on waste electrical and electronic equipment, Polish Journal of Laws Dz.U. no. 180/2005, item 1495.

Warning! The above signs should be protected against damage, and if damaged, please purchase from the device manufacturer.

4. INTENDED USE

The Regulation of the Minister of Agriculture and Rural Development of September 9, 2004. Dz. U. No. 205 item 2102, §5 point 4: equipment and tools for stunning are inspected before each start of slaughter procedure.

The AZ-1 tester is designed to control the stunning equipment produced by PPUH KOMA.

5. DESIGN

The tester consists of a casing (1) made of stainless steel in which the heater (4) is placed. The heater is enclosed by an inner sleeve (2). A thermal fuse (5) protecting the heater from heating up above 65°C was fixed on the cover (3). The switch (7) and the suppressor (6) are placed in the casing base. The tester is connected to the STZ power supply units with a plug (9).

6. PARTS LIST

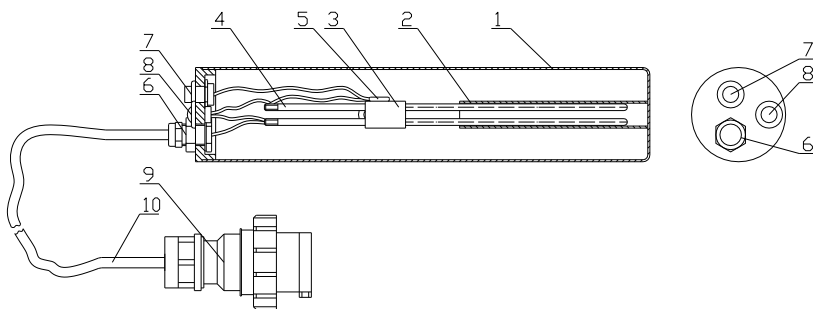


Fig.1. AZ-1 tester

1. Casing AZ1 01-01-01
2. Inner sleeve AZ1 01-01-02
3. Heater cover
4. Heater 230V/300W
5. Thermal fuse AM 03/01 65.05
6. Suppressor V-TEC 9
7. Switch PBS-28B
8. Red light indicator LS-3N.1
9. Plug 16A 230V (IP67)
10. Cable OLFLEX ROBUST 200 2X1

7. WIRING OUTLINE

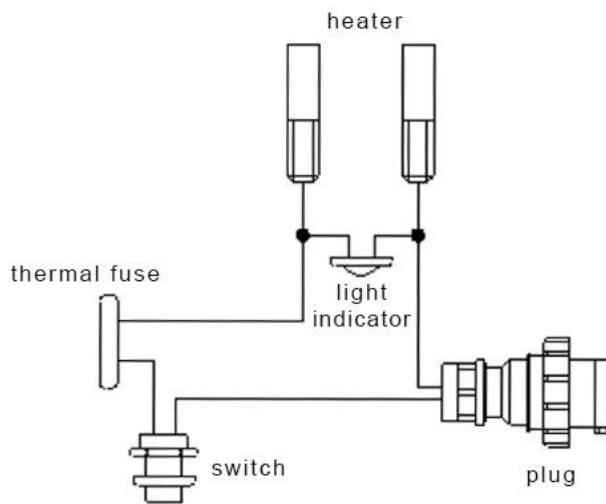


Fig.2. Electric diagram of the AZ-1 tester

8. OPERATION

Connect the plug of the AZ-1 tester to the socket of the STZ power supply to which the tong plug is normally connected. Turn on the STZ power supply. After pressing the switch placed on the tester, the simulated stunning operation starts. Keep the switch pressed until the audible signal comes on and the red lamp GŁUSZENIE (STUNNING PROCESS) appears followed by yellow lamp (END OF STUNNING). After releasing the button, the simulated stunning process should end and the red GŁUSZENIE (STUNNING), yellow KONIEC GŁUSZENIA (END OF STUNNING) lamps and the alarm signal will turn off. The simulated stunning process cycle triggered and terminated in the way described above shows that the STZ power supply is operational.

In the event of any irregularities in the device operation, report the defect to the manufacturer's service.

Warning !! The tester should be switched off and disconnected from the power source when it is not in use.

9. MAINTENANCE AND REPAIRS

1. Maintenance

The AZ-1 tester does not require any special maintenance. It is necessary however to keep the device in proper technical condition and cleanliness. Cleaning should be done manually, taking into account the safety conditions of electrical equipment.

2. Repairs

Any repairs must be carried out by the manufacturer.

10. DISASSEMBLY AND DECOMMISSIONING

The activities described are in accordance with the Act of July 29, 2005 on waste electrical and electronic equipment from Journal of Laws of 20 September 2005 No. 180 item 1495.

If the device is completely worn out, its disassembly and deletion must be carried out as follows:

- Disassemble parts connected with screws by unscrewing them.
- Used and unusable elements should be used for scrap metal.
- Take precautions and safety when disassembling the device by using appropriate hand tools and personal protective equipment! (gloves, work clothes, apron).

ATTENTION!

Please read the warranty card carefully and strictly adhere to the terms and conditions and follow the general rules provided in the AZ-1 Tester manual.

Warranty Card

Factory number..... Production year

The AZ-1 testing device was made in accordance with the construction and technical documentation included in the technical conditions of receipt and execution. The warranty is granted for a period no longer than 12 months from the date of invoice in accordance with the Journal of Laws of 2002. No. 141, item 1706 (Act of July 27, 2002) and includes:

- materials
- performance
- assembly of parts, assemblies and components

The warranty is lost if:

- the device is used (operated) in a manner inconsistent with the instructions given in the instruction manual
- any repairs or modifications are performed by the user

The warranty is extended by the time the device has been repaired during the warranty period.

Date of sale _____
Day/month/year

Stamp of the seller

Seller's signature

To be filled in by a manufacturer:

Date of a complaint submission:

Ways of dealing with the complaint:

.

.....

.....

.....

Date of the settlement of the complaint:

Warranty extension date:

.

Signature and stamp of the producer:

I confirm that I have received the goods in fully working condition:

.....

(date and signature)